

IP3701H Series Network Camera

1/3-INCH, COLOR, HIGH RESOLUTION, 480 TVL (NTSC/PAL)

Product Features

- Power over Ethernet (IEEE802.3af) or 24 VAC Power Input
- Open Architecture
- Three Simultaneous Video Streams
 - Dual MPEG-4 (30 ips)
 - Scaleable MJPEG
- Internet Protocols: TCP, UDP (Unicast, Multicast IGMP), UPnP, DNS, DHCP, RTP, NTP
- Multi Level Password Protection
- EDR (Extended Dynamic Range)
- C/CS Lens Mount
- Backlight Compensation
- Horizontal Resolution of 480 TV Lines
- Low Profile Top/Bottom Mount
- BNC Service Connector



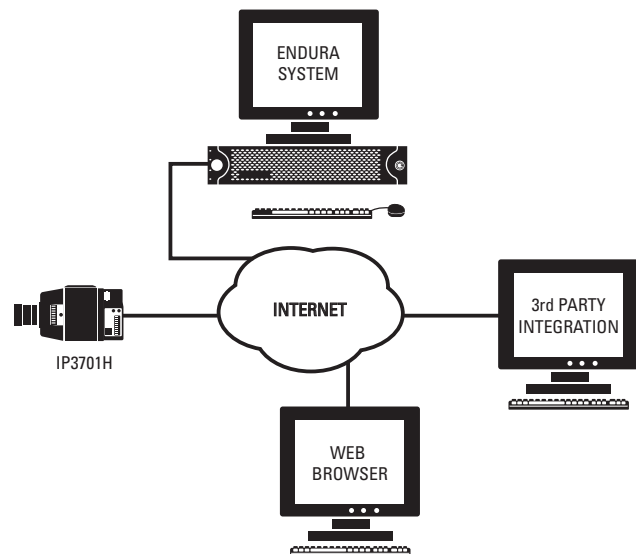
The **IP3701H Series** is a high-resolution, high sensitivity, general purpose digital camera with a built-in 100 Base-TX network interface for live streaming to a standard Web browser (Microsoft® Internet Explorer or Firefox®) and/or recording device. The camera features open architecture connectivity for third party software recording solutions and is also Endura Enabled™ to record, manage, configure, and view multiple live streams.

When connected to an Endura™ network-based video security system the camera has access to EnduraStor™ and EnduraView™ for optimized image quality and bandwidth efficiency. EnduraStor dramatically extends the recording duration at a lower frame rate, and EnduraView constantly monitors and automatically adjusts the system for the best picture possible.

The **IP3701H Series** supports Pelco IP camera application programming interface (API) for customized software solutions, giving users the flexibility to use third-party products.

The **IP3701H Series** has built-in Power over Ethernet (IEEE802.3af), which supplies power to the camera using the network cable, reducing the cost of installation. For installation flexibility the unit also includes a 24 VAC connector. The camera has a BNC video output for simultaneous viewing during installation and maintenance.

The **IP3701H Series** camera features an extended dynamic range, without sacrificing sensitivity, color imagery, or resolution. Extended dynamic range allows the camera to provide a picture in many extreme light applications.



C2941 / NEW 9-07



U.S. Patent Pending

International Standards Organization Registered Firm; ISO 9001 Quality System



TECHNICAL SPECIFICATIONS

MODELS

IP3701H-2	1/3-inch high resolution digital color CCD camera, 480 TVL, NTSC format
IP3701H-2X	Same as IP3701H-2 except PAL format

GENERAL

Imaging Device	1/3-inch imager
Picture Elements	
IP3701H-2	768 (H) x 494 (V)
IP3701H-2X	752 (H) x 582 (V)
Sensing Area	6 mm diagonally
Horizontal Resolution	480 TV lines
Iris Control	Electronic/passive
Minimum Illumination	0.5 lux, f/1.2, 40 IRE, AGC on, 75% reflectance
ESC	1/60 - 1/100,000 second
Signal-to-Noise Ratio	52dB (AGC off)
Backlight Compensation	Selectable by DIP switch setting
Scanning System	
IP3701H-2	525 lines, 2:1 interlace
IP3701H-2X	625 lines, 2:1 interlace
Auto Iris Lens Type	DC/video control, selectable by DIP switch position

ELECTRICAL

Ports	RJ-45 connector for 100BASE-TX Auto MDI/MDI-X Autonegotiate/Manual setting
Cabling Type	Cat5 or better for 100BASE-TX
Input Voltage	18-30 VAC or PoE IEEE802.3af Class 3
Power Consumption	7 watts

MECHANICAL

Lens Mount	C/CS mount (adjustable)
Camera Mount	Use 1/4-20 screw, top or bottom of camera housing

ENVIRONMENTAL

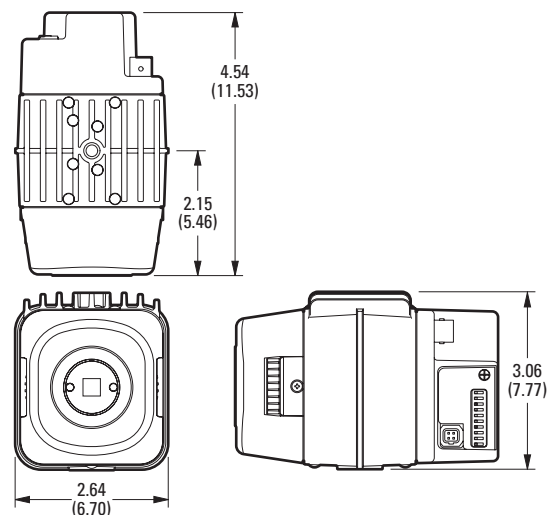
Operating Temperature	14° to 122°F (-10° to 50°C)
Storage Temperature	14° to 158°F (-10° to 70°C)

VIDEO

Signal System	NTSC or PAL
Compression	MPEG-4, MJPEG in Web viewing mode
Video Streams	3, simultaneous
Video Resolutions	<u>NTSC</u> <u>PAL</u>
4CIF	704 x 480 704 x 576
2CIF	704 x 240 704 x 288
CIF	352 x 240 352 x 288
QCIF	176 x 120 176 x 144
Bit Rate Configurable	MPEG-4, 20 kbps to 2 Mbps per stream, implements EnduraView
Web Browser	Camera live view for up to 10 video sources
Users	10 simultaneous users, unlimited number of users using multicast
Minimum Web Browser Requirements	PC (Pentium® 4 microprocessor, 1.6 GHz) with Windows® 98/2000/XP (or higher) or Mac® OS X 10.3.9 (or higher)
RAM	512 MB
Ethernet Card	100 Megabits
Web Browser	Microsoft Internet Explorer 5.5 (or higher) or Firefox 1.5 (or higher)
Screen Resolution	1024 x 768 pixels or higher, 16- or 32-bit pixel color resolution

CERTIFICATIONS/RATINGS/PATENTS

- CE, Class B
- UL Listed
- UL Listed to Canadian safety standards
- FCC, Class B
- IEEE802.3af compliant



NOTE: VALUES IN PARENTHESES ARE CENTIMETERS; ALL OTHERS ARE INCHES.



Pelco Worldwide Headquarters:
3500 Pelco Way, Clovis, California 93612-5699 USA
USA & Canada Tel: (800) 289-9100 • FAX (800) 289-9150
International Tel: (559) 292-1981 • FAX (559) 348-1120
www.pelco.com

Pelco and the Pelco logo are registered trademarks of Pelco.
Endura, Endura Enabled, EduraStor, and EnduraView are trademarks of Pelco.
Microsoft and Windows are registered trademarks of Microsoft Corporation.
Firefox is a registered trademark of the Mozilla Foundation.
Pentium is a registered trademark of Intel Corporation.
Mac is a registered trademark of Apple Inc.
Specifications subject to change without notice.
©Copyright 2007, Pelco. All rights reserved.