

rayLUX 200

WHITE-LIGHT PRODUCT RANGE

Designed to be used with colour or day / night cameras the RAYLUX series of High Performance White-Light LED illuminators provide class leading performance, long life, energy efficiency and ultra low maintenance. They incorporate the very latest surface mount LED's to deliver excellent night-time pictures with improved optical output and outstanding reliability.

The unique Adaptive Illumination™ concept provides the flexibility to alter the angle of illumination on site to suit specific security needs and to match the camera's field of view. RAYLUX illuminators are also purpose designed to provide even output illumination.

Each unit is fitted with a Cool Running™ thermal management system to carefully control LED output and delivers a projected working life of 10 years.

RAYLUX illuminators are supplied with bracket and power supply. Control features on the power supply include adjustable power output, photocell and telemetry control. RAYLUX 200 is designed for low light installations up to 120m (394ft).

ADAPTIVE ILLUMINATION™



Narrow Angle

Wide Angle

APPLICATIONS



POWERFUL

- Distances up to 120m (394ft)
- Latest LED technology
- High Power - Low Running Costs

FLEXIBLE

- Adaptive Illumination™
- Various angles (10° to 180°)
- Fully Controllable Power Supply

RELIABLE

- 10 year life
- Cool Running™ thermal management system
- Vandal resistant

CONTROLLED

- Excellent Colour Rendition
- Even Output Illumination
- Low Running Costs

rayTEC®

www.rayteccctv.com



ADAPTIVE ILLUMINATION™

Adaptive Illumination™ allows the installer to adjust the angle of the light projection from a single unit to fit the specific demands of any installation. Adjustment is quick and convenient and any angle upto 180 degrees (depending on model) is easily selectable. Adaptive Illumination is patent pending technology available exclusively from Raytec.



COOL RUNNING™ Thermal Management System

Cutting edge materials science techniques have been employed to improve thermal efficiency throughout the unit. Cool Running™ is specifically designed to allow all Raytec LED products to provide exceptionally long life - up to 10 years.



SMT (Surface Mount Technology)

The future of lighting is surface mount LED technology. Compared to standard through hole LED's, surface mount LED's are a more robust solution increasing reliability and improving product life. They are also far more efficient at the dissipation of heat allowing the LED's to run at higher power and achieve significantly improved performance.



VANDAL RESISTANT

The polycarbonate lens design protects against severe blows from crowbars, baseball bats and can even withstand successive shots from air pistols and rifles (range dependant).



ENERGY SAVING

All Raytec illuminators use high efficiency LED's and advanced control methods to deliver extremely low electrical consumption. Raytec illuminators are energy saving and deliver huge savings in running costs compared to traditional bulb illuminators.



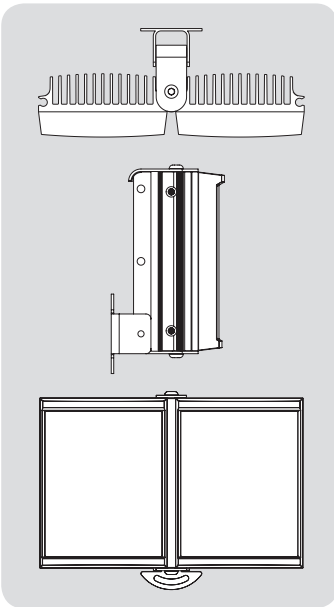
HIGH DEFINITION LIGHTING

High Definition Lighting allows cameras to provide crystal clear, high signal images during the hours of darkness. The breakthrough in HD lighting is made possible with Raytec's high power LED technology delivering increased power on scene.

5 YEAR WARRANTY
All Raytec CCTV illuminators are provided with a 5 year warranty, unmatched anywhere in the CCTV lighting industry. Raytec illuminators provide guaranteed long life!



TECHNICAL SPECIFICATIONS



ILLUMINATOR

- Max Distance:* up to 120m (394ft)
- Angle:* Various - See Part Codes
- Optics:* SMT LED's
- Consumption:* 80W max
- Voltage:* 14V current controlled
- Weight:* 4kg
- Environmental:* IP66
- Temp Range:* -50 to +50°C (-58 to 122°F)
- Cable Length:* 2.5m
- Colour:* Black
- Wavelength:* White-Light
- Dimensions:* 280 x 195 x 66mm
11" x 8" x 3" approx

BRACKETRY

U Bracket and Adaptive Illumination bracket included.

POWER SUPPLY

- Input:* Universal 100-240V AC auto-sensing
- Output:* 80W max
- Temperature:* -50 to +50°C (-58 to 122°F)
- Weight:* 1.8Kg
- Dimensions:* 160mm x 160mm x 90mm
6" x 6" x 4" approx

Standard PSU (included)

Adjustable photocell
Adjustable power output for IR
Telemetry Control

Premium PSU (add ~PR to part code)

All standard PSU features PLUS:
Photocell following contact for switching of dual mode cameras
12V dc output to power cameras

Pulsed PSU (add ~PU to part code)

To pulse Raytec lights in sync with cameras.
Power Adjustment
Video In and Video Out connections to sync light and camera,
12V dc output to power cameras

PART CODES & DISTANCES

RL200-AI-10	RAYLUX 200, 10-20°	AI, white-light + PSU
RL200-AI-30	RAYLUX 200, 30-60°	AI, white-light + PSU
RL200-AI-50	RAYLUX 200, 50-100°	AI, white-light + PSU
RL200-AI-120	RAYLUX 200, 120-180°	AI, white-light + PSU

NARROW ANGLE WIDE ANGLE

120m (394ft)	80m (262ft)
60m (197ft)	40m (130ft)
42m (138ft)	28m (91ft)
24m (79ft)	16m (52ft)



Europe / Middle East: Tel: +44 (0) 1670 528446
Americas: Tel: +1 281 438 3599

Email: sales@rayteccctv.com
Email: ussales@rayteccctv.com
Web: www.rayteccctv.com