

rayLUX 50

WHITE-LIGHT PRODUCT RANGE

Designed to be used with colour or day / night cameras the RAYLUX series of High Performance White-Light LED illuminators provide class leading performance, long life, energy efficiency and ultra low maintenance. They incorporate the very latest surface mount LED's to deliver excellent night-time pictures with improved optical output and outstanding reliability.

The unique Adaptive Illumination™ concept provides the flexibility to alter the angle of illumination on site to suit specific security needs and to match the camera's field of view. RAYLUX illuminators are also purpose designed to provide even output illumination.

Each unit is fitted with a Cool Running™ thermal management system to carefully control LED output and delivers a projected working life of 10 years.

RAYLUX illuminators are supplied with bracket and power supply. Control features on the power supply include adjustable power output, photocell and telemetry control. RAYLUX 50 is designed for low light installations up to 50m (165ft).

RAYLUX 50 is also available with low voltage PSU.

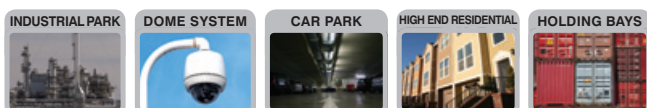
ADAPTIVE ILLUMINATION™



Narrow Angle

Wide Angle

APPLICATIONS



POWERFUL

- Distances up to 50m (165ft)
- Latest LED technology
- High Power - Low Running Costs

FLEXIBLE

- Adaptive Illumination™
- Various angles (10° to 180°)
- Fully Controllable Power Supply
- Optional Low Voltage PSU

RELIABLE

- 10 year life
- Cool Running™ thermal management system
- Vandal resistant

CONTROLLED

- Excellent Colour Rendition
- Even Output Illumination
- Low running costs

rayTEC®

www.rayteccctv.com



ADAPTIVE ILLUMINATION™

Adaptive Illumination™ allows the installer to adjust the angle of the light projection from a single unit to fit the specific demands of any installation. Adjustment is quick and convenient and any angle upto 180 degrees (depending on model) is easily selectable. Adaptive Illumination is patent pending technology available exclusively from Raytec.



COOL RUNNING™ Thermal Management System

Cutting edge materials science techniques have been employed to improve thermal efficiency throughout the unit. Cool Running™ is specifically designed to allow all Raytec LED products to provide exceptionally long life - up to 10 years.



SMT (Surface Mount Technology)

The future of lighting is surface mount LED technology. Compared to standard through hole LED's, surface mount LED's are a more robust solution increasing reliability and improving product life. They are also far more efficient at the dissipation of heat allowing the LED's to run at higher power and achieve significantly improved performance.



VANDAL RESISTANT

The polycarbonate lens design protects against severe blows from crowbars, baseball bats and can even withstand successive shots from air pistols and rifles (range dependant).



ENERGY SAVING

All Raytec illuminators use high efficiency LED's and advanced control methods to deliver extremely low electrical consumption. Raytec illuminators are energy saving and deliver huge savings in running costs compared to traditional bulb illuminators.



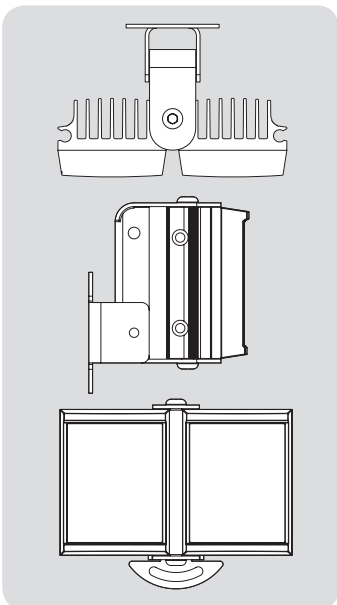
HIGH DEFINITION LIGHTING

High Definition Lighting allows cameras to provide crystal clear, high signal images during the hours of darkness. The breakthrough in HD lighting is made possible with Raytec's high power LED technology delivering increased power on scene.

5 YEAR WARRANTY
All Raytec CCTV illuminators are provided with a 5 year warranty, unmatched anywhere in the CCTV lighting industry. Raytec illuminators provide guaranteed long life!



TECHNICAL SPECIFICATIONS



ILLUMINATOR

Max Distance: up to 50m (165ft)
Angle: Various - See Part Codes
Optics: SMT LED's
Consumption: 25W max
Voltage: 14V current controlled
Weight: 1.7kg
Environmental: IP66
Temp Range: -50 to +50°C (-58 to 122°F)
Cable Length: 2.5m
Colour: Silver
Wavelength: White-Light
Dimensions: 160 x 115 x 54mm
 6" x 4" x 2" approx

BRACKETRY

U Bracket and Adaptive Illumination bracket included.

POWER SUPPLY

Input: Universal 100-240V AC auto-sensing
Output: 25W max
Temperature: -50 to +50°C (-58 to 122°F)
Weight: 0.9Kg
Dimensions: 160mm x 120mm x 80mm
 6" x 5" x 3" approx

Standard PSU (included)

Adjustable photocell
 Adjustable power output for IR
 Telemetry Control

Premium PSU (add ~PR to part code)

All standard PSU features PLUS:
 Photocell following contact for switching of dual mode cameras
 12V dc output to power cameras

Pulsed PSU (add ~PU to part code)

To pulse Raytec lights in sync with cameras.
 Power Adjustment
 Video In and Video Out connections to sync light and camera,
 12V dc output to power cameras

PART CODES & DISTANCES

RL50-AI-10	RAYLUX 50, 10-20°	AI, white-light + PSU
RL50-AI-30	RAYLUX 50, 30-60°	AI, white-light + PSU
RL50-AI-50	RAYLUX 50, 50-100°	AI, white-light + PSU
RL50-AI-120	RAYLUX 50, 120-180°	AI, white-light + PSU

NARROW ANGLE WIDE ANGLE

50m (165ft)	33m (108ft)
28m (138ft)	18m (60ft)
20m (65ft)	13m (42ft)
12m (39ft)	8m (26ft)



Europe / Middle East: Tel: +44 (0) 1670 528446
 Americas: Tel: +1 281 438 3599

Email: sales@rayteccctv.com
 Email: ussales@rayteccctv.com
 Web: www.rayteccctv.com